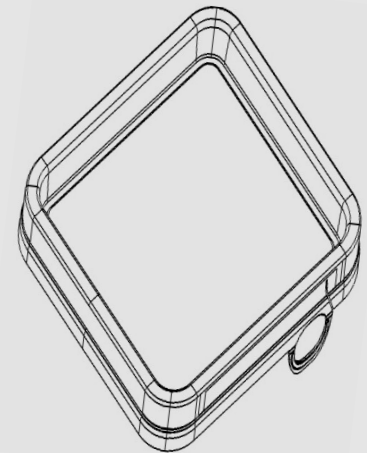


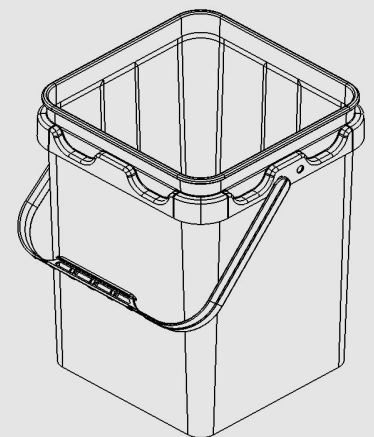
Cover Specification

Origin of Materials	100% US Manufactured
Material	Polyethylene
Mfg. Method	Injection Molding
Weight	3/8 lb / 157 g
Height	1 7/8"
Bottom Outside Diameter	9 5/8" x 9 5/8"
Top Outside Diameter	9 7/8" x 9 7/8"
Min Wall Thickness	.060"
Standard Color	White <i>Please inquire about custom colors</i>
Quantity	1,200 units per pallet



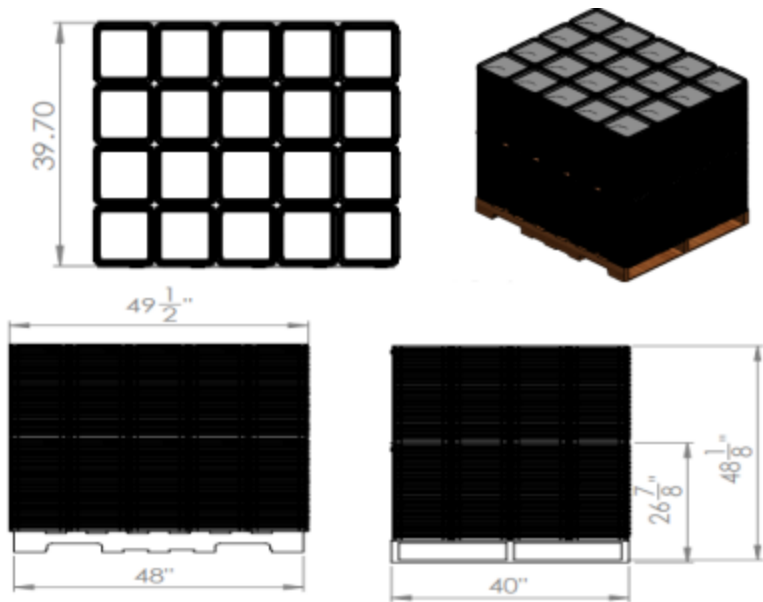
Pail Specification

Origin of Materials	100% US Manufactured
Material	Polypropylene
Mfg. Method	Injection Molding
Weight	1 1/8 lbs. / 525grams
Min. Wall Thickness	.065"
Exterior Height	14 5/8" With Cover 14 3/4"
Top Inside Diameter	9 1/8" x 9 1/8"
Bottom Outside Diameter	8 3/8" x 8 3/8"
Shipping Quantity	220 Units per Pallet 10,120 Units per Truckload
Standard Color	White <i>Please inquire about custom colors</i>
Decoration	In Mold Labeling (IML)
Top Load Rating	300 lbs



Pack Specifications For Cover

- 1,200 lids per pallet
- 20 Stacks x 30 high per layer
- Two layers per pallet
- Lid Material is PP



Pack Specification For Pail

- 220 pails per pallet
- 20 stacks x 12 high
- 10,120 per truckload
- Pail material is PP

