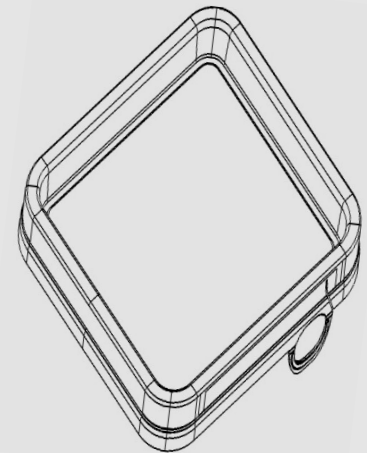


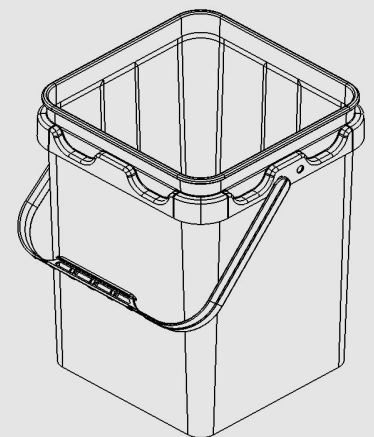
Cover Specification

| | |
|-------------------------|--|
| Origin of Materials | 100% US Manufactured |
| Material | Polyethylene |
| Mfg. Method | Injection Molding |
| Weight | 3/8 lb / 157 g |
| Height | 1 7/8" |
| Bottom Outside Diameter | 9 5/8" x 9 5/8" |
| Top Outside Diameter | 9 7/8" x 9 7/8" |
| Min Wall Thickness | .060" |
| Standard Color | White <i>Please inquire about custom colors</i> |
| Quantity | 1,320 units per pallet |



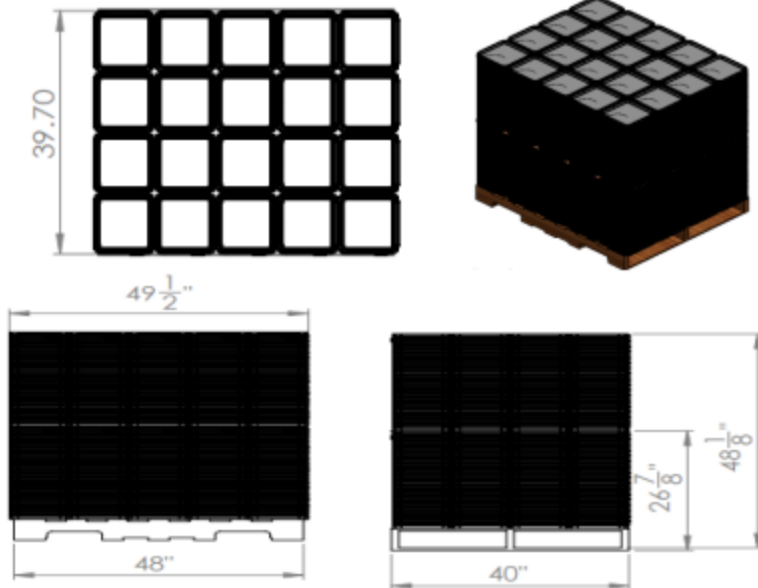
Pail Specification

| | |
|-------------------------|--|
| Origin of Materials | 100% US Manufactured |
| Material | Polypropylene |
| Mfg. Method | Injection Molding |
| Weight | 1 1/8 lbs. / 525grams |
| Min. Wall Thickness | .065" |
| Exterior Height | 14 5/8" With Cover 14 3/4" |
| Top Inside Diameter | 9 1/8" x 9 1/8" |
| Bottom Outside Diameter | 8 3/8" x 8 3/8" |
| Shipping Quantity | 240 Units per Pallet 10,500 Units per Truckload |
| Standard Color | White <i>Please inquire about custom colors</i> |
| Decoration | In Mold Labeling (IML) |
| Top Load Rating | 300 lbs |



Pack Specifications For Cover

- 1,320 lids per pallet
- 20 Stacks x 33 high per layer
- Two layers per pallet
- Lid Material is PP



Pack Specification For Pail

- 240 pails per pallet
- 20 stacks x 12 high
- 10,500 per truckload
- Pail material is PP

