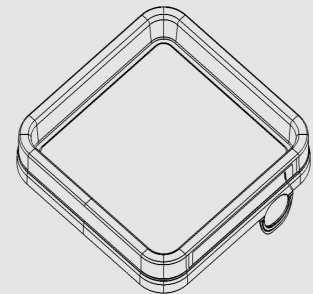


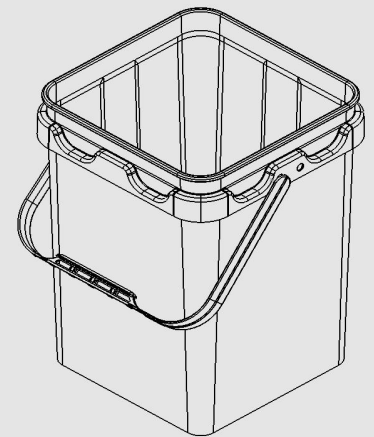
Cover Specification

Origin of Materials	100% US Manufactured
Material	Polypropylene
Mfg. Method	Injection Molding
Weight	3/8 lbs. / 157 g
Height	1 7/8"
Bottom Outside Diameter	9 5/8" x 9 5/8"
Top Outside Diameter	9 7/8" x 9 7/8"
Min Wall Thickness	.060"
Standard Color	White <i>Please inquire about custom colors</i>
Quantity	1,320 units per pallet 10,500 per truckload



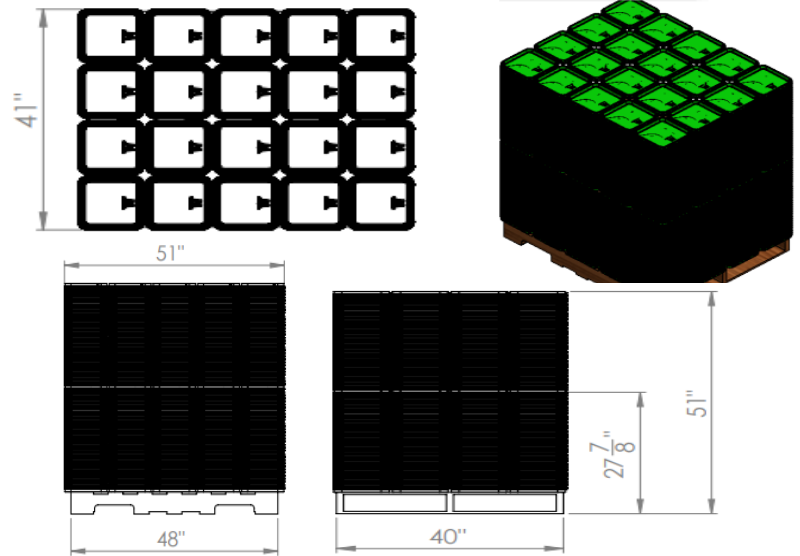
Pail Specification

Origin of Materials	100% US Manufactured
Material	Polypropylene
Mfg. Method	Injection Molding
Weight	1 lbs.
Min. Wall Thickness	.065"
Exterior Height	13 1/2" With Cover 13 3/4"
Top Inside Diameter	9 5/8" x 9 5/8"
Bottom Outside Diameter	8 3/8" x 8 3/8"
Shipping Quantity	240 Units per Pallet 10,500 Units per Truckload
Standard Color	White <i>Please inquire about custom colors</i>
Decoration	In Mold Labeling (IML)
Top Load Rating	300 lbs



Pack Specifications For Covers

- 1320 lids per pallet
- 20 Stacks x 33 high per layer
- Two layers per pallet
- Lid material is PP



Pack Specifications For Pails

- 240 pails per pallet
- 20 Stacks x 12 high
- 10,500 per truckload
- Pail material is PP

