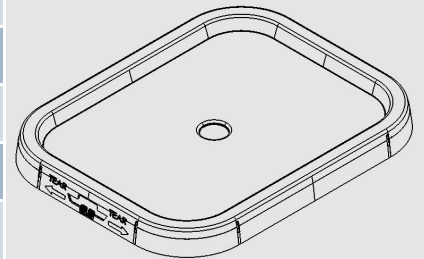


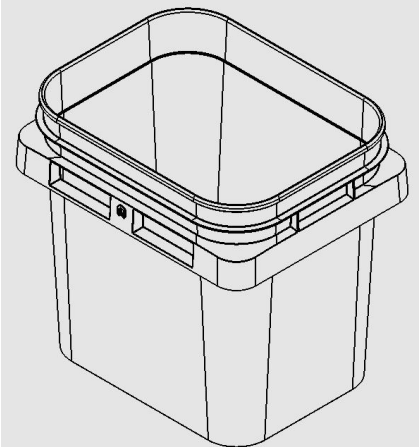
Cover Specification

Origin of Materials	100% US Manufactured
Material	Polypropylene
Weight	0.29 lbs. / 133 g
Height	1"
Min Wall Thickness	0.055"
Outside Diameter	9 1/8"x 11 5/8"
Gasket	NA
Fitments	<i>Please inquire about custom fittings</i>
Standard Color	White <i>Please inquire about custom colors</i>
Shipping Quantity	480 per layer / 960 per pallet



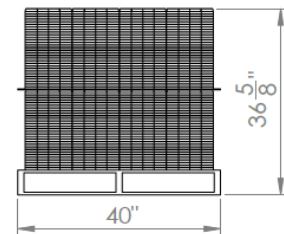
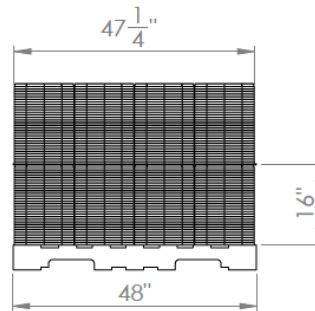
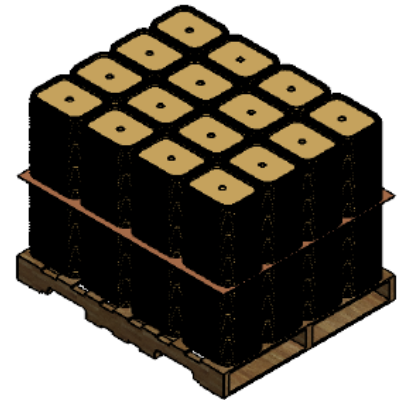
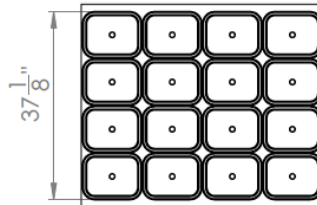
Pail Specification

Origin of Materials	100% US Manufactured
Material	Polypropylene
Handles	Metal
Weight	1 1/4 lbs/ 530 grams
Exterior Height	11 1/8" With Cover 11 1/4"
Min. Wall Thickness	0.055"
Outside Diameter - Top	11 3/8"x 9"
Outside Diameter - Bottom	9 7/8"x 7 3/8"
Standard Color	White <i>Please inquire about custom colors</i>
Shipping Quantity	192 Units per Pallet 10,368 Units per Truckload
Print Area	8"x 32 1/2" In Mold Labeling (IML) 360° Unobstructed Real Estate Below Beam to Bottom Edge Including Corners



Pack Specifications For Cover

- 960 Units
- 16 stacks x 30 high per layer
- 2 layers per pallet
- Lid material is PP



Pack Specifications For Pail

- 192 Units
- 16 Stacks x 12 High
- Pail Material is PP

