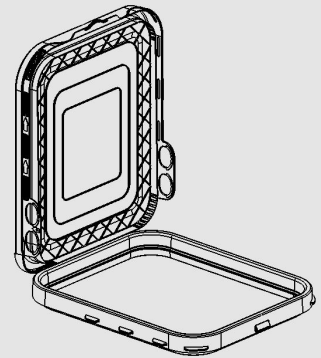


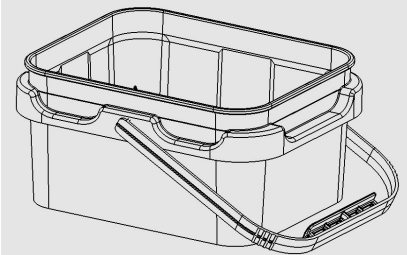
**Cover Specification**

Origin of Materials	100% US Manufactured
Material	Polypropylene
Mfg. Method	Injection Molding
Weight	1/4 lbs. / 130g
Height	1 1/8"
Min Wall Thickness	.04"
Top Outside Diameter	7 3/4" x 9 5/8"
Gasket	Dry Seal
Standard Color	White <i>Please inquire about custom colors</i>
Case Quantity	144 box, 1152 Pallet



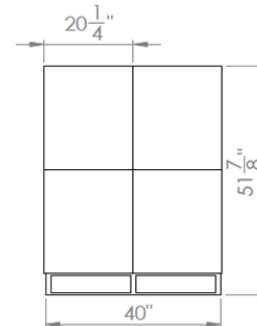
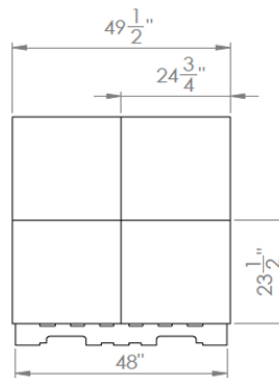
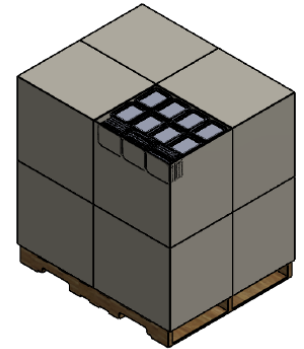
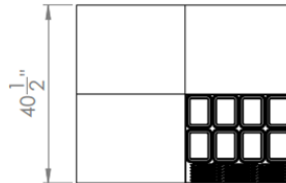
**Pail Specification**

Origin of Materials	100% US Manufactured
Material	Polypropylene ( <i>Clarified Optional</i> ) <i>Plastic Handle</i>
Mfg. Method	Injection Molding
Weight	1/2 lbs / 205g
Min. Wall Thickness	.048"
Exterior Height	4 5/8"
Top Outside Diameter	9 1/4" x 7 5/8"
Bottom Outside Diameter	8 5/8 x 6 7/8"
Shipping Quantity	525 Units per Pallet 19,425 Units per Truckload
Standard Color	White <i>Please inquire about custom colors</i>
Top Load Rating	75 lbs



### Pack Specifications For Cover

- 1152 Units
- 144 per Box
- 4 Boxes per Layer x 2 High
- Lid Material is PP



### Pack Specifications For Pail

- 525 Units
- 25 Stacks x 21 High
- 19,425 Units per Truckload
- Pail Material is PP

