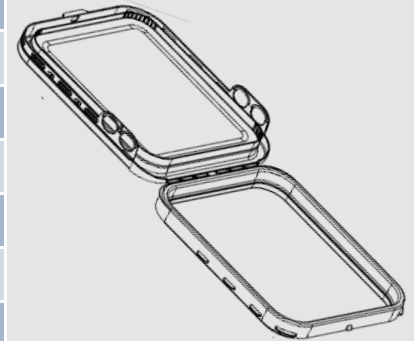


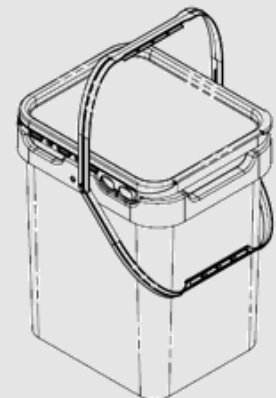
Cover Specification

Origin of Materials	100% US Manufactured
Material	Polypropylene
Mfg. Method	Injection Molding
Weight	.47 lbs / 215g
Height	1 1/4"
Min Wall Thickness	.050"
Top Outside Diameter	9 3/4" / 11 3/4"
Gasket	Dry Seal
Standard Color	White <i>Please inquire about custom colors</i>
Case Quantity	84 per case, 672 per pallet



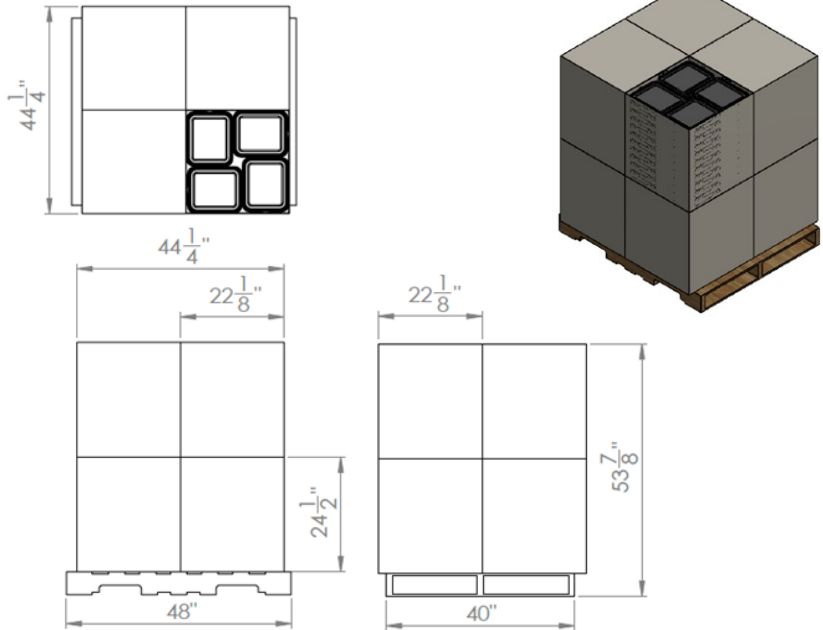
Pail Specification

Origin of Materials	100% US Manufactured
Material	Polypropylene <i>Plastic Handle</i>
Mfg. Method	Injection Molding
Weight	1.23lbs / 560g
Min. Wall Thickness	.055"
Exterior Height	12 1/4" / With Cover 12 5/8"
Top Outside Diameter	9 1/2" / 11 1/4"
Bottom Outside Diameter	8 1/2" / 10 1/8"
Shipping Quantity	192 Units per Pallet 8064 Units per Truckload
Standard Color	White <i>Please inquire about custom colors</i>
Print Area	9 5/8" x 37"
Decoration	In Mold Labeling (IML)
Top Load Rating	270 lbs



Pack Specifications For Cover

- 672 Units
- 4 Stacks x 21 high per box
- 4 Boxes per layer x 2 high
- Lid material is PP



Pack Specifications For Pail

- 192 Units
- 16 Stacks x 12 high
- 8064 Units per Truckload
- Pail material is PP

