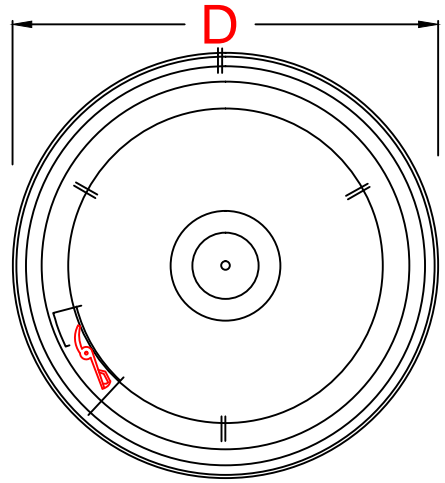
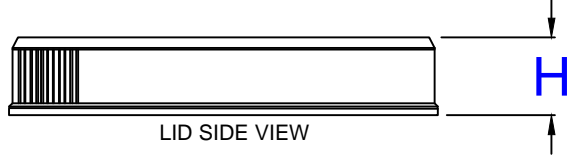


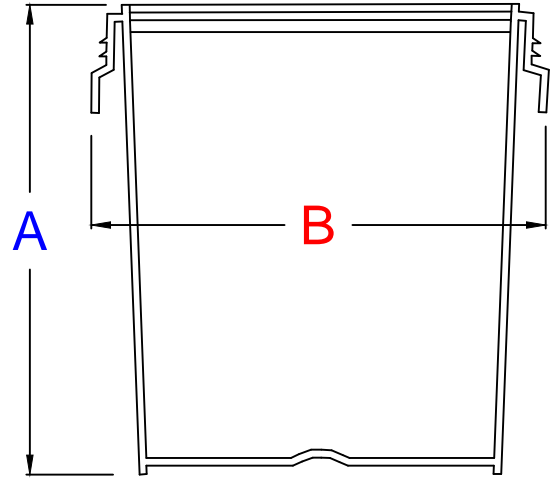
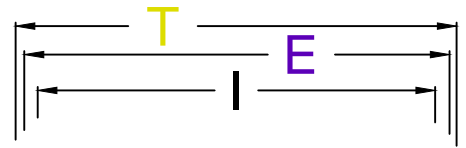
ASSEMBLY VIEW



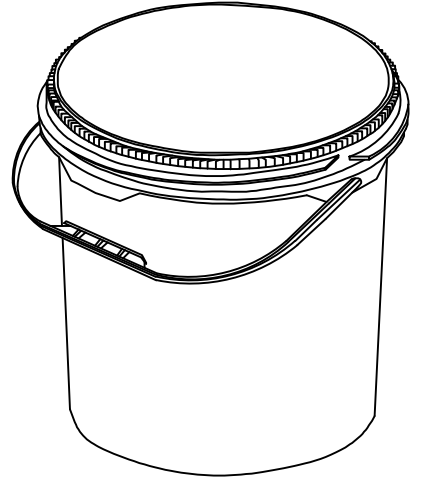
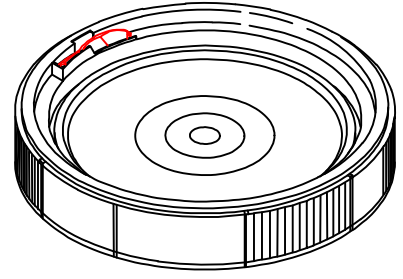
LID TOP VIEW



LID SIDE VIEW



PAIL SIDE VIEW



PERSPECTIVE VIEW

M&M INDUSTRIES, INC.

316 Corporate Place
Chattanooga, TN 37419

Life Latch® NG Pails

DRAWING NOT TO SCALE

Style: Life Latch[®] New Generation

Dimension (inches- reference only)	Pail							Lid					Assembled pail with lid			
	Overall Height (A)	Maximum Outside width of pail no handle(B)	Bottom Outside diameter (C)	Pail ID at top (I)	Pail OD at top E	Pail thread dimension (T)	Minimum wall thickness	Overall Height (H)	Outside diameter at Base (D)	Inside diameter at base (G)	Inside diameter at thread (F)	Minimum wall thickness	Overall Height (X)	Maximum diameter for palletizing no handle (Y)	Nesting depth for palletizing (Z)	Maximum fill capacity assembled (US gallons)
0.6 gallon	6.88	7.00	5.63	6.19	6.56	6.62	0.05	1.38	7.06	6.87	6.69	0.05	7.25	7.06	0.75	0.73
1.25 gallon	8.36	8.75	7.06	7.80	8.25	8.50	0.06	1.75	8.88	8.63	8.38	0.05	9.12	8.75	1.00	1.43
2.0 gallon	8.11	11.55	9.35	10.05	10.25	10.85	0.09	2.40	11.63	11.50	11.00	0.08	8.76	11.60	0.88	2.22
2.5 gallon	9.75	11.50	9.38	10.00	10.20	10.75	0.08	2.40	11.63	11.50	11.00	0.08	10.44	11.63	0.88	2.87
3.5 gallon	11.25	12.75	10.25	11.25	11.80	12.25	0.09	2.50	12.88	12.44	12.00	0.09	12.20	12.88	1.38	3.97
5.0 gallon	15.25	12.75	10.38	11.25	11.80	12.25	0.09	2.50	12.88	12.44	12.00	0.09	16.04	12.88	1.38	5.46
6.5 gallon	18.75	12.75	10.38	11.25	11.80	12.25	0.09	2.50	12.88	12.44	12.00	0.09	19.50	12.88	1.38	6.80