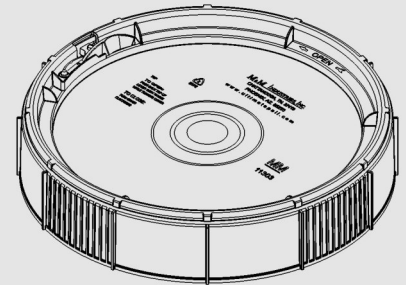


UN Certification:  1H2/Y6/S

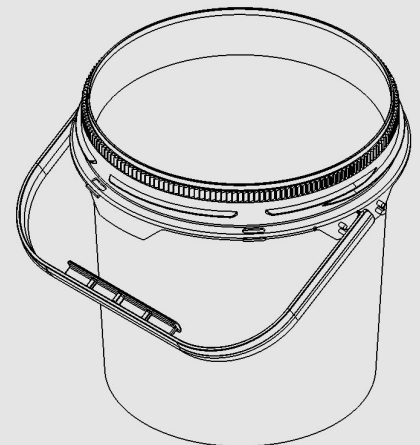
Cover Specification

Origin of Materials	100% US Manufactured
Material	High Density Polyethylene (HDPE)
Weight	0.321 lbs. / 148 g
Height	1 3/4"
Min Wall Thickness	0.050"
Bottom Outside Diameter	8 7/8"
Gasket	EPDM Tubular
Fitments	<i>Please inquire about custom fittings</i>
Standard Color	White <i>Please inquire about custom colors</i>
Shipping Quantity	90 per case / 720 per pallet



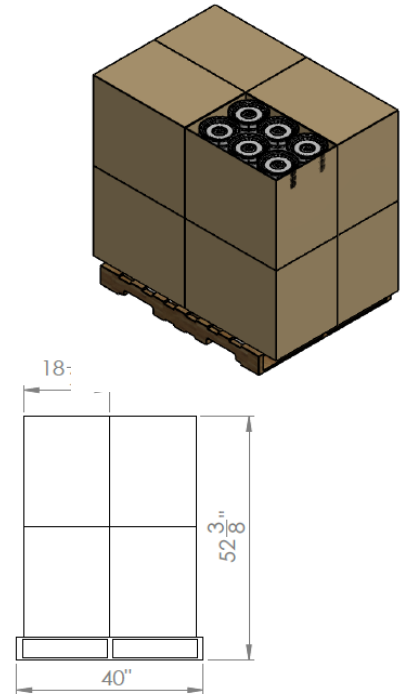
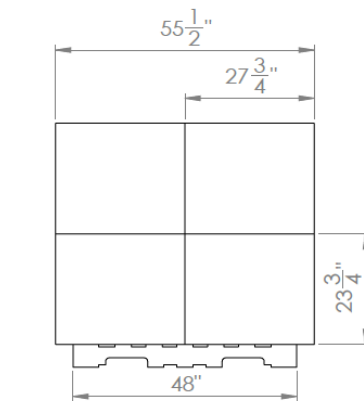
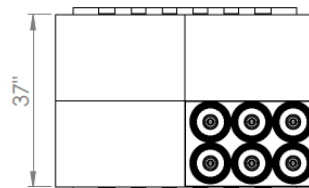
Pail Specification

Origin of Materials	100% US Manufactured
Material	High Density Polyethylene (HDPE)
Handles	Metal or Plastic
Weight	0.69 lbs. / 313 g
Exterior Height	8 1/2" With Cover 9 1/8"
Min. Wall Thickness	0.062"
Inside Diameter - Top	7 3/4"
Outside Diameter - Bottom	7"
Standard Color	White <i>Please inquire about custom colors</i>
Shipping Quantity	400 Units per Pallet 14,400 Units per Truckload
Print Area	5" x 22 3/4"
Top Load Rating	175 lbs.



Pack Specifications For Cover

- 720 Units
- 6 stacks x 15 high per box
- 4 boxes per layer x 2 high
- Lid material is HDPE



Pack Specifications For Pail

- 400 Units
- 20 Stacks x 20 High
- Pail Material is HDPE

