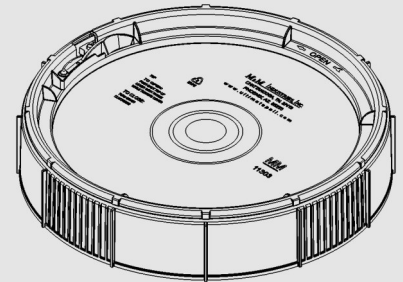


UN Certification:  1H2/Y4/S

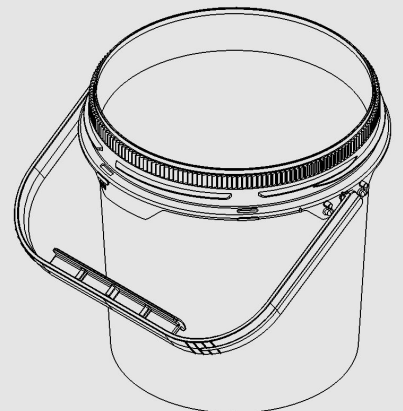
Cover Specification

Origin of Materials	100% US Manufactured
Material	High Density Polyethylene (HDPE)
Weight	0.166 lbs. / 75 g
Height	1 3/8"
Min Wall Thickness	0.046"
Bottom Outside Diameter	7"
Gasket	Neoprene / Available w/o Gasket
Fitments	<i>Please inquire about custom fittings</i>
Standard Color	White <i>Please inquire about custom colors</i>
Shipping Quantity	180 per case / 1,440 per pallet



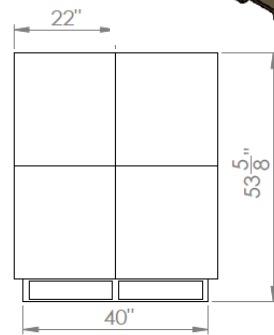
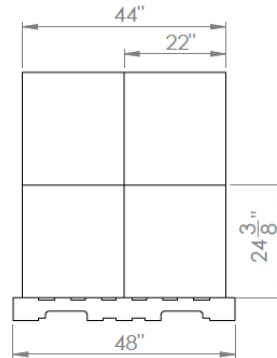
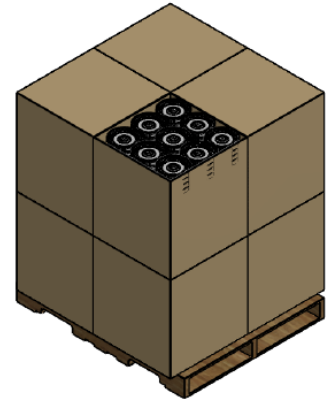
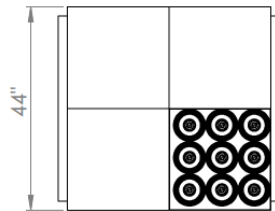
Pail Specification

Origin of Materials	100% US Manufactured
Material	High Density Polyethylene (HDPE)
Handles	Plastic
Weight	0.36 lbs. / 162 g
Exterior Height	6 7/8" With Cover 7 3/8"
Min. Wall Thickness	0.049"
Inside Diameter - Top	6 1/8"
Outside Diameter - Bottom	5 5/8"
Standard Color	White <i>Please inquire about custom colors</i>
Shipping Quantity	780 Units per Pallet 28,080 Units per Truckload
Print Area	3 3/4" x 18 1/4"
Top Load Rating	125 lbs



Pack Specifications For Cover

- 1,440 Units
- 9 stacks x 20 high per box
- 4 boxes per layer x 2 high
- Lid material is HDPE



Pack Specifications For Pail

- 780 Units
- 30 Stacks x 26 High
- Pail Material is HDPE

