

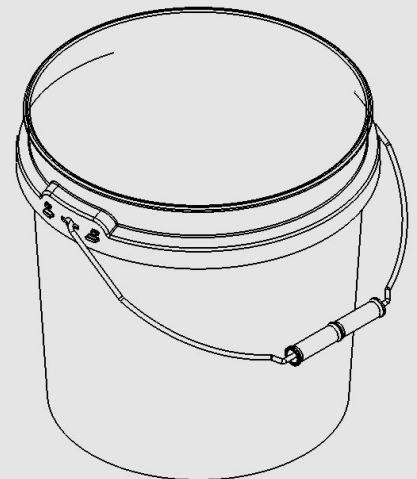
### Cover Specification

Origin of Materials	100% US Manufactured
Material	High Density Polyethylene (HDPE)
Weight	1/4 lbs / 132g
Height	1"
Min Wall Thickness	0.070"
Bottom OD	9 5/8"
Gasket	EPDM Tubular
Fittings	<i>Please inquire about custom fittings</i>
Standard Color	White <i>Please inquire about custom colors</i>
Case Quantity	200 per case / 1600 per pallet



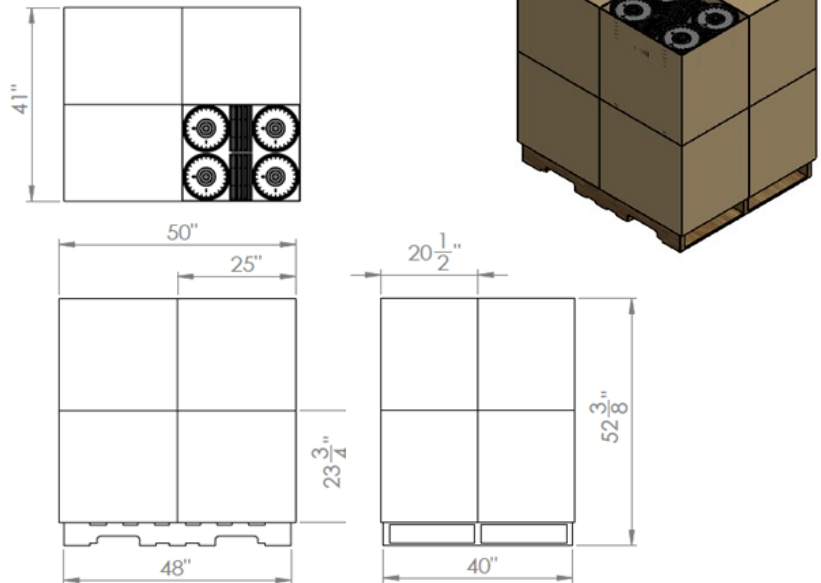
### Pail Specification

Origin of Materials	100% US Manufactured
Material	High Density Polyethylene (HDPE)
Handles	Metal or Plastic
Weight	5/6 lbs / 376 g
Exterior Height	9 1/2" With Cover 9 5/8"
Min. Wall Thickness	0.065"
Inside Diameter - Top	9 5/8"
Outside Diameter - Bottom	8 1/8"
Standard Color	White <i>Please inquire about custom colors</i>
Shipping Quantity	360 Units per Pallet 15,840 Units per Truckload
Print Area	5 1/2" x 26 3/8"
Top Load Rating	225 lbs



## Pack Specifications For Cover

- 1600 Units
- 4 stacks x 40 high per box
- 4 inner stacks x 10 high per box
- 4 boxes per layer x 2 high
- Lid material is HDPE



## Pack Specifications For Pail

- 360 Units
- 20 Stacks x 18 High
- Pail Material is HDPE

