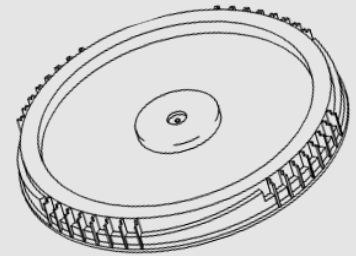


UN Certification: 1H2/Y30/S 

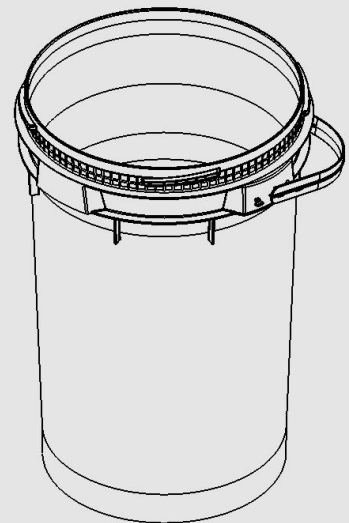
Cover Specification

Origin of Materials	100% US Manufactured
Material	High Density Polyethylene (HDPE)
Mfg. Method	Injection Molding
Weight	3/4 lbs. / 404g
Height	1 1/4"
Min Wall Thickness	0.080"
Top Outside Diameter	12 5/8"
Standard Color	White Please inquire about custom colors
Shipping Quantity	40 per Box 480 per Pallet



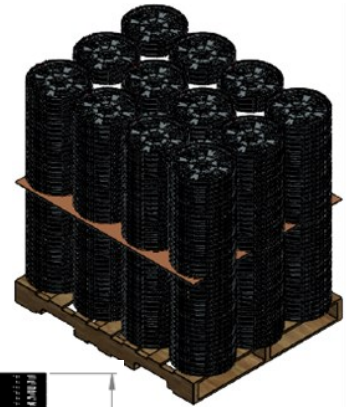
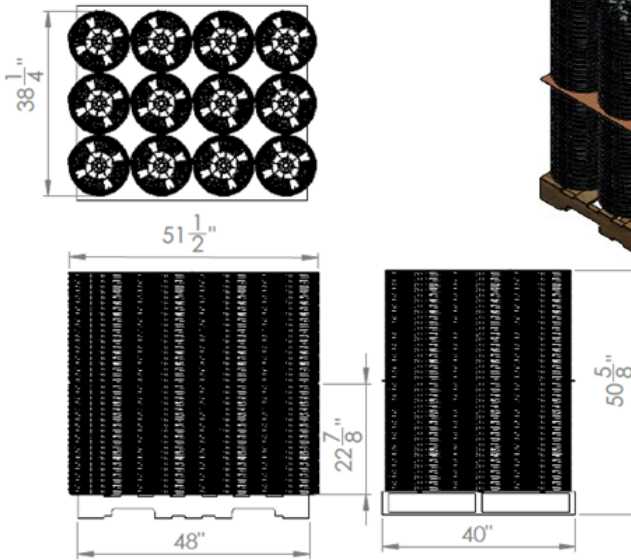
Pail Specification

Origin of Materials	100% US Manufactured
Material	High Density Polyethylene (HDPE) <i>Plastic Handle</i>
Mfg. Method	Injection Molding
Weight (including handle)	3 lbs. / 1302g
Min. Wall Thickness	0.090"
Exterior Height	18 5/8" With Cover 18 3/4"
Top Outside Diameter	11 1/2"
Bottom Outside Diameter	10 1/4"
Shipping Quantity	96 Units per Pallet 4,320 Units per Truckload
Standard Color	White <i>Please inquire about custom colors</i>
Print Area	10 1/2" x 33"
Heat Transfer Area	11 3/8" x 31"
Top Load Rating	400 lbs



Pack Specifications For Cover

- 480 Units
- 12 Stacks x 20 high per layer
- 2 layers per pallet
- Lid Material is HDPE



Pack Specifications For Pail

- 96 Units
- 12 Stacks x 8 High
- 4,320 Units per Truckload
- Pail Material is HDPE

