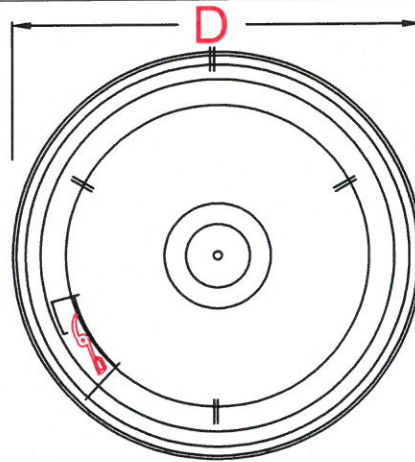
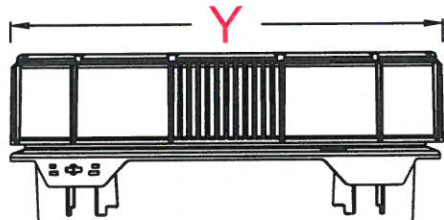
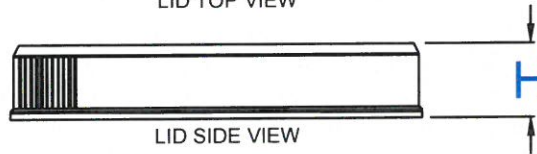


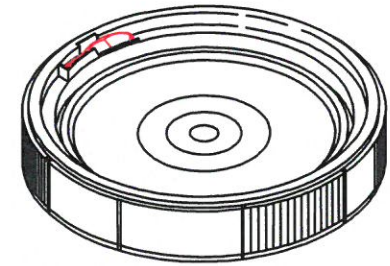
LID SECTION CUT VIEW



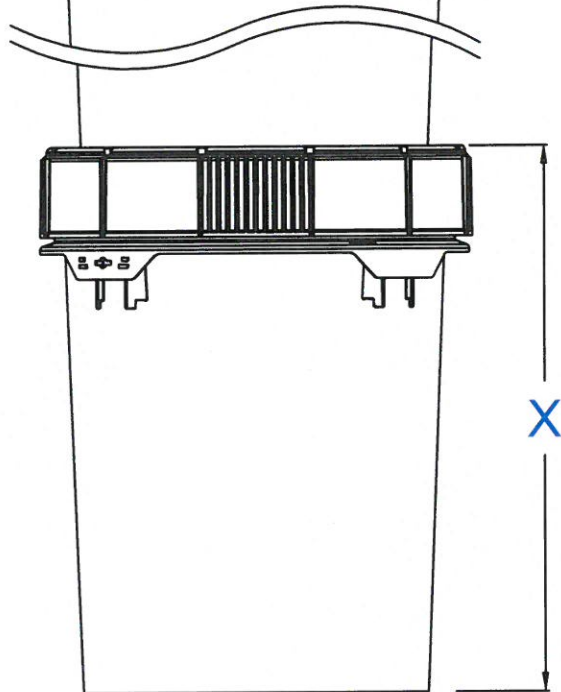
LID TOP VIEW



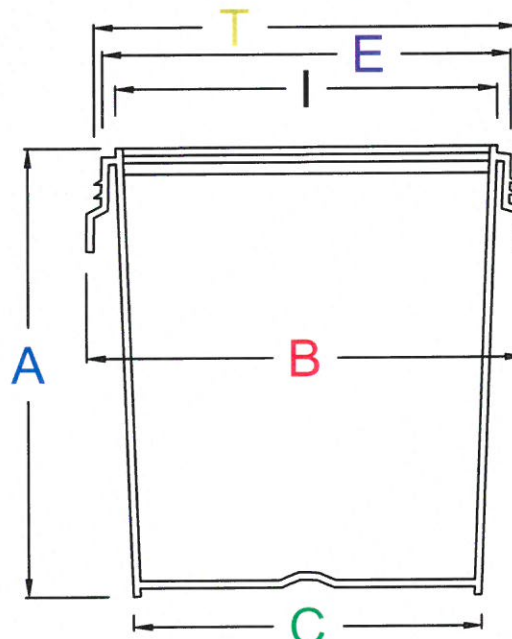
LID SIDE VIEW



PERSPECTIVE VIEW



ASSEMBLY VIEW



PAIL SIDE VIEW

**M&M INDUSTRIES, INC.**

316 Corporate Place  
Chattanooga, TN 37419

**Life Latch® NG Pails**

DRAWING NOT TO SCALE

Style: Life Latch® New Generation

Letter	Pail							Lid					Assembled pail with lid			
	(A)	(B)	(C)	(I)	(E)	(T)		(H)	(D)	(G)	(F)		(X)	(Y)	(Z)	(US gallons)
Dimension (inches-reference only)	Overall Height	Maximum Outside width of pail no handle	Bottom Outside diameter	Pail ID at top	Pail OD at top	Pail thread dimension	Minimum wall thickness	Overall Height	Outside diameter at Base	Inside diameter at base	Inside diameter at thread	Minimum wall thickness	Overall Height	Maximum diameter for palletizing no handle	Nesting depth for palletizing	Maximum fill capacity assembled
0.6 gallon	6.88	7.00	5.63	6.19	6.56	6.62	0.05	1.38	7.06	6.87	6.69	0.05	7.25	7.06	0.75	0.73
1.25 gallon	8.36	8.75	7.06	7.80	8.25	8.50	0.06	1.75	8.88	8.63	8.38	0.05	9.12	8.75	1.00	1.43
2.0 gallon	8.11	11.55	9.35	10.05	10.25	10.85	0.09	2.40	11.63	11.50	11.00	0.08	8.76	11.60	0.88	2.22
2.5 gallon	9.75	11.50	9.38	10.00	10.20	10.75	0.08	2.40	11.63	11.50	11.00	0.08	10.44	11.63	0.88	2.87
3.5 gallon	11.25	12.75	10.25	11.25	11.80	12.25	0.09	2.50	12.88	12.44	12.00	0.09	12.20	12.88	1.38	3.97
5.0 gallon	15.25	12.75	10.38	11.25	11.80	12.25	0.09	2.50	12.88	12.44	12.00	0.09	16.04	12.88	1.38	5.46
6.5 gallon	18.75	12.75	10.38	11.25	11.80	12.25	0.09	2.50	12.88	12.44	12.00	0.09	19.50	12.88	1.38	6.80