
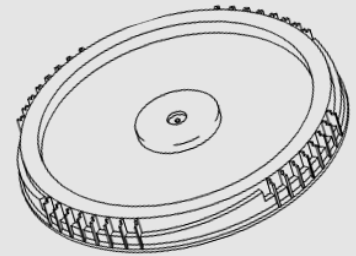


UN Certification: 1H2/Y30/S 

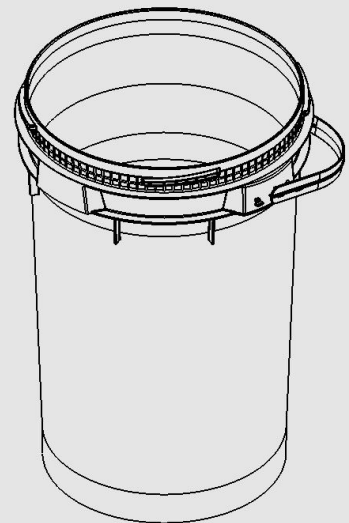
Cover Specification

| | |
|----------------------|--|
| Origin of Materials | 100% US Manufactured |
| Material | High Density Polyethylene (HDPE) |
| Mfg. Method | Injection Molding |
| Weight | .89lbs / 404g |
| Height | 1 1/4" |
| Min Wall Thickness | 0.080" |
| Top Outside Diameter | 12 5/8" |
| Standard Color | White Please inquire about custom colors |
| Shipping Quantity | 40 per Box 480 per Pallet |



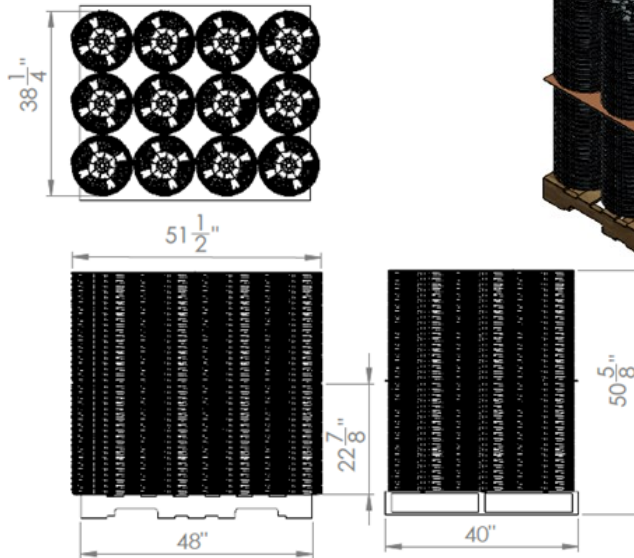
Pail Specification

| | |
|-------------------------|---|
| Origin of Materials | 100% US Manufactured |
| Material | High Density Polyethylene (HDPE) <i>Plastic Handle</i> |
| Mfg. Method | Injection Molding |
| Weight | 2.87lbs / 1302g |
| Min. Wall Thickness | 0.090" |
| Exterior Height | 18 5/8" With Cover 18 3/4" |
| Top Outside Diameter | 11 1/2" |
| Bottom Outside Diameter | 10 1/4" |
| Shipping Quantity | 96 Units per Pallet 4,320 Units per Truckload |
| Standard Color | White <i>Please inquire about custom colors</i> |
| Print Area | 10 1/2" x 33" |
| Heat Transfer Area | 11 3/8" x 31" |
| Top Load Rating | 400 lbs |



Pack Specifications For Cover

- 480 Units
- 12 Stacks x 20 high per layer
- 2 layers per pallet
- Lid Material is HDPE



Pack Specifications For Pail

- 96 Units
- 12 Stacks x 8 High
- 4,320 Units per Truckload
- Pail Material is HDPE

