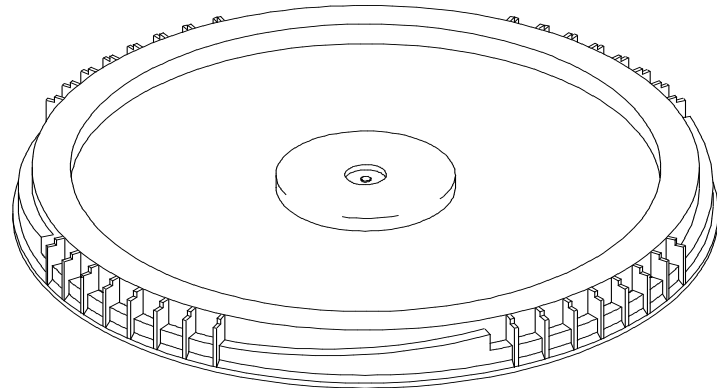




Prepared For: Standard Technical Specification 09/29/11
Revised: 3/20/17

General Specifications for cover:

Material:	High Density Polyethylene (HDPE)
Method of Mfg:	Injection Molding
Weight:	.87lbs/397g
Cover Height:	1.25"
Min. Wall Thickness:	.080" (mil)
Bottom OD:	12.603"
Gasket:	Neoprene (Available as Non-UN only)
Bulk Tray Qty:	480 per pallet
Standard Color:	White, Red 186, Blue 300
	Please inquire about custom colors



General Specifications for Pail:

Material:	High Density Polyethylene (HDPE)	
Method of Mfg:	Injection Molding	
Nominal Capacity:	6.5 Gallons	
Weight:	2.62lbs/1190g	
Min. Wall Thickness:	.090" (90 mil)	
Exterior Height:	18.62"	
Top Inside Dia:	11.45"	Height
Bottom Outside Dia:	10.27"	18.62"
Pallet:	96 units	
Truckload:	4,320	
Handle:	Plastic Handle	Height
Printing Dimensions:	10.5" x 33"	w/cover
Heat Transfer Dim:	11.438" x 31.000"	18.72"
Nesting:	Tapered walls for nesting	
Standard Color:	White	
	Please inquire about custom colors	
UN Certification:	1H2/Y30/S	

